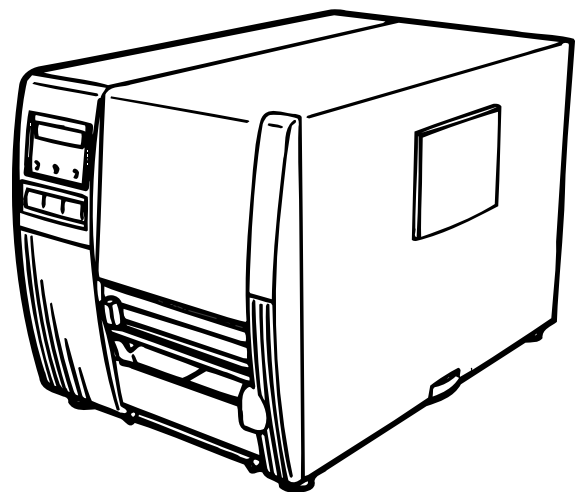


TEC

TEC Thermal Printer

B-570-QQ SERIES

Owner's Manual



TOSHIBA TEC CORPORATION

This equipment has been tested and found to comply with the limits for a Class A digital device, pursuant to Part 15 of the FCC Rules. These limits are designed to provide reasonable protection against harmful interference when the equipment is operated in a commercial environment. This equipment generates, uses, and can radiate radio frequency energy and, if not installed and used in accordance with the instruction manual, may cause harmful interference to radio communications. Operations of this equipment in a residential area is likely to cause harmful interference in which case the user will be required to correct the interference at his own expense.

(for USA only)

Changes or modifications not expressly approved by manufacturer for compliance could void the user's authority to operate the equipment.

"This Class A digital apparatus meets all requirements of the Canadian Interference-Causing Equipment Regulations."

"Cet appareil numérique de la classe A respecte toutes les exigences du Règlement sur le matériel brouilleur du Canada."

(for CANADA only)

CAUTION

To avoid injury, be careful not to catch or jam your fingers while opening or closing the cover.

CAUTION

Do not touch moving parts. To reduce the risk that fingers, jewelry, clothing, etc., be drawn into the moving parts, push the switch in the "OFF" position to stop movement.

As an ENERGY STAR® Partner, TOSHIBA TEC has determined that this product meets the ENERGY STAR® guidelines for energy efficiency.



-- Outline of the International ENERGY STAR® Office Equipment Program --

The International ENERGY STAR® Office Equipment Program is an international program that promotes energy saving through the penetration of energy efficient computers and other office equipment. The program backs the development and dissemination of products with functions that effectively reduce energy consumption. It is an open system in which business proprietors can participate voluntarily. The targeted products are office equipment such as computers, monitors, printers, facsimiles, copiers, scanners, and multifunction devices. Their standards and logos are uniform among participating nations.

ENERGY STAR is a U.S. registered mark.

Safety Summary

Personal safety in handling or maintaining the equipment is extremely important. Warnings and Cautions necessary for safe handling are included in this manual. All warnings and cautions contained in this manual should be read and understood before handling or maintaining the equipment. Do not attempt to effect repairs or modifications to this equipment. If a fault occurs that cannot be rectified using the procedures described in this manual, turn off the power, unplug the machine, then contact your authorized TOSHIBA TEC representative for assistance.

Meanings of Each Symbol



This symbol indicates warning items (including cautions). Specific warning contents are drawn inside the \triangle symbol. (The symbol on the left indicates a general caution.)



This symbol indicates prohibited actions (prohibited items). Specific prohibited contents are drawn inside or near the \circ symbol. (The symbol on the left indicates "no disassembling".)



This symbol indicates actions which must be performed. Specific instructions are drawn inside or near the \bullet symbol. (The symbol on the left indicates "disconnect the power cord plug from the outlet".)



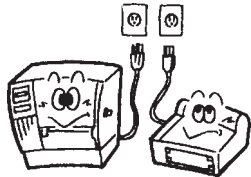
WARNING

This indicates that there is the risk of **death** or **serious injury** if the machines are improperly handled contrary to this indication.



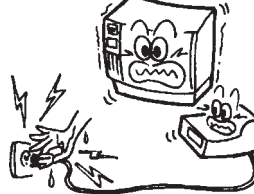
Any other than the specified AC voltage is prohibited.

■ Do not use voltages other than the voltage (AC) specified on the rating plate, as this may cause **fire** or **electric shock**.



Prohibited

■ Do not plug in or unplug the power cord plug with wet hands as this may cause **electric shock**.



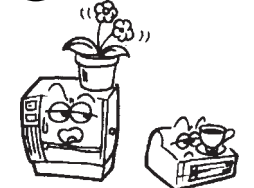
Prohibited

■ If the machines share the same outlet with any other electrical appliances which consume large amounts of power, the voltage will fluctuate widely each time these appliances operate. Be sure to provide an exclusive outlet for the machine as this may cause the machines to **malfunction**.



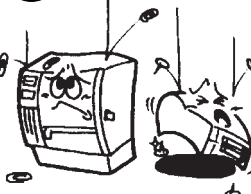
Prohibited

■ Do not place metal objects or water-filled containers such as flower vases, flower pots or mugs, etc. on top of the machines. If metal objects or spilled liquid enter the machines, this may cause **fire** or **electric shock**.



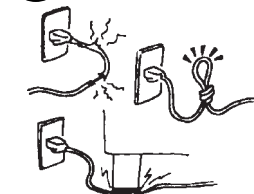
Prohibited

■ Do not insert or drop metal, flammable or other foreign objects into the machines through the ventilation slits, as this may cause **fire** or **electric shock**.



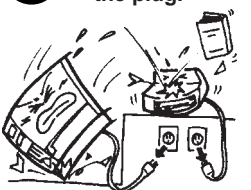
Prohibited

■ Do not scratch, damage or modify the power cords. Also, do not place heavy objects on, pull on, or excessively bend the cords, as this may cause **fire** or **electrical shock**.



Disconnect the plug.


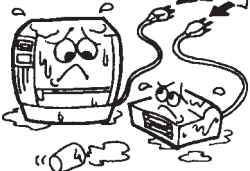

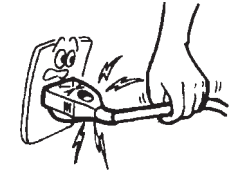

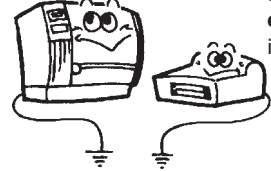

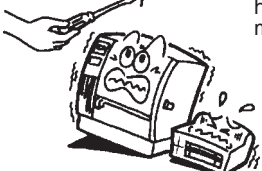
■ If the machines are dropped or their cabinets damaged, first turn off the power switches and disconnect the power cord plugs from the outlet, and then contact your authorized TOSHIBA TEC representative for assistance. Continued use of the machine in that condition may cause **fire** or **electric shock**.



Disconnect the plug.

■ Continued use of the machines in an abnormal condition such as when the machines are producing smoke or strange smells may cause **fire** or **electric shock**. In these cases, immediately turn off the power switches and disconnect the power cord plugs from the outlet. Then, contact your authorized TOSHIBA TEC representative for assistance.



 <p>Disconnect the plug.</p>  <p>■ If foreign objects (metal fragments, water, liquids) enter the machines, first turn off the power switches and disconnect the power cord plugs from the outlet, and then contact your authorized TOSHIBA TEC representative for assistance. Continued use of the machine in that condition may cause fire or electric shock.</p>	 <p>Disconnect the plug.</p>  <p>■ When unplugging the power cords, be sure to hold and pull on the plug portion. Pulling on the cord portion may cut or expose the internal wires and cause fire or electric shock.</p>
 <p>Connect a grounding wire.</p>  <p>■ Ensure that the equipment is properly grounded. Extension cables should also be grounded. Fire or electric shock could occur on improperly grounded equipment.</p>	 <p>No disassembling.</p>  <p>■ Do not remove covers, repair or modify the machine by yourself. You may be injured by high voltage, very hot parts or sharp edges inside the machine.</p>



CAUTION This indicates that there is the risk of personal **Injury** or **damage** to objects if the machines are improperly handled contrary to this indication.

Precautions

The following precautions will help to ensure that this machine will continue to function correctly.

- Try to avoid locations that have the following adverse conditions:
 - * Temperatures out of the specification
 - * Direct sunlight
 - * High humidity
 - * Shared power source
 - * Excessive vibration
 - * Dust/Gas
- The cover should be cleaned by wiping with a dry cloth or a cloth slightly dampened with a mild detergent solution. NEVER USE THINNER OR ANY OTHER VOLATILE SOLVENT on the plastic covers.
- USE ONLY TOSHIBA TEC SPECIFIED paper and ribbons.
- DO NOT STORE the paper or ribbons where they might be exposed to direct sunlight, high temperatures, high humidity, dust, or gas.
- Ensure the printer is operated on a level surface.
- Any data stored in the memory of the printer could be lost during a printer fault.
- Try to avoid using this equipment on the same power supply as high voltage equipment or equipment likely to cause mains interference.
- Unplug the machine whenever you are working inside it or cleaning it.
- Keep your work environment static free.
- Do not place heavy objects on top of the machines, as these items may become unbalanced and fall causing **injury**.
- Do not block the ventilation slits of the machines, as this will cause heat to build up inside the machines and may cause **fire**.
- Do not lean against the machine. It may fall on you and could cause **injury**.
- Care must be taken not to injure yourself with the printer paper cutter.
- Unplug the machine when it is not used for a long period of time.

Request Regarding Maintenance

- Utilize our maintenance services.
After purchasing the machine, contact your authorized TOSHIBA TEC representative for assistance once a year to have the inside of the machine cleaned. Otherwise, dust will build up inside the machines and may cause a **fire** or a **malfunction**. Cleaning is particularly effective before humid rainy seasons.
- Our preventive maintenance service performs the periodic checks and other work required to maintain the quality and performance of the machines, preventing accidents beforehand. For details, please consult your authorized TOSHIBA TEC representative for assistance.
- Using insecticides and other chemicals
Do not expose the machines to insecticides or other volatile solvents. This will cause the cabinet or other parts to deteriorate or cause the paint to peel.

TABLE OF CONTENTS

	Page
1. INTRODUCTION	1-1
1.1 Applicable Model	1- 5
1.2 Accessories	1- 5
2. SPECIFICATIONS	2-1
2.1 Printer	2- 1
2.2 Options	2- 2
2.3 Media	2- 3
2.4 Ribbon	2- 3
3. OVERVIEW	3-1
3.1 Front/Rear View	3- 1
3.2 Operation Panel	3- 1
4. DIP SWITCH FUNCTIONS	4-1
5. INSTALLING THE PRINTER	5-1
6. LOADING THE MEDIA	6-1
7. LOADING THE RIBBON	7-1
8. INSERTING THE OPTIONAL FLASH MEMORY CARD	8-1
9. CARE/HANDLING OF THE MEDIA AND RIBBON	9-1
10. GENERAL MAINTENANCE	10-1
10.1 Cleaning	10- 1
10.2 Covers and Panels	10- 1
10.3 Removing Jammed Paper	10- 2
10.4 Threshold Setting	10- 4
10.5 Auto Ribbon Saving Mode	10- 5
11. TROUBLESHOOTING	11-1

CAUTION:

1. *This manual may not be copied in whole or in part without prior written permission of TOSHIBA TEC.*
2. *The contents of this manual may be changed without notification.*
3. *Please refer to your local Authorized Service representative with regard to any queries you may have in this manual.*

1. INTRODUCTION

Thank you for choosing the TEC B-570 series thermal/transfer printer. This new generation high performance/quality printer is equipped with the latest hardware including the newly developed high density (12 dots/mm, 306 dots/inch) near edge print head. This will allow very clear print at a maximum speed of 203.2 mm/sec. (8 inches/sec.). Other standard features include an automatic ribbon saver, a built-in rewinder/strip mechanism and an internal media supply spool.

This manual contains general set-up and maintenance information and should be read carefully to help gain maximum performance and life from your printer. For most queries please refer to this manual and keep it safe for future reference.

1.1 Applicable Model

- B-572-QQ

Model name description

B - 5 7 2 - Q Q

— QQ: North America

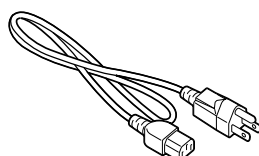
— 2: Thermal direct/Thermal transfer

1.2 Accessories

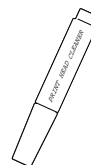
Owner's Manual
(EM1-33035)



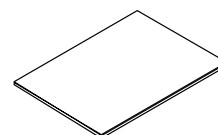
Power Cord



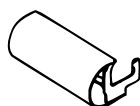
Head Cleaner
(24089500013)



Unpacking Procedure



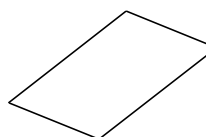
Rewinder guide plate
(FMBD0034501)



Screw
(SM-4x6B)



Quality control report



2. SPECIFICATIONS

2.1 Printer

Item	Model	B-570-QQ
Supply voltage		AC 100V ~ 120V +10%, -15%, 50/60Hz +2Hz, -2Hz
Power consumption		2A, 198W maximum (standby: 500mA, 51W maximum)
Operating temperature range		5°C ~ 40°C
Relative humidity		25% ~ 85%RH (no condensation)
Print head		Thermal print head 12 dots per mm (306 dots per inch)
Printing methods		Thermal direct or Thermal transfer
Print speeds		76.2 mm/sec. (3 inch/sec.), 127 mm/sec. (5 inch/sec.), 203.2 mm/sec. (8 inch/sec.),
Maximum print width		127.5 mm (5.02 inches)
Dispensing modes		Batch (Continuous), Strip (On-demand) and Cut modes (Cut mode is only available when optional cutter is fitted.)
Message display		20 characters x 1 line
Dimensions		291 mm (width) x 460 mm (depth) x 308 mm (height)
Weight		19 kg (without media and ribbon)
Available bar code types		JAN8, JAN13, EAN8, EAN8+2digits, EAN8+5digits EAN13, EAN13+2digits, EAN13+5digits UPC-E, UPC-E+2digits, UPC-E+5digits UPC-A, UPC-A+2digits, UPC-A+5 digits MSI, ITF, NW-7, CODE39, CODE93, CODE128, EAN128 PDF417, DATA MATRIX, Industrial 2 to 5
Fonts		Times Roman (6 sizes), Helvetica (6 sizes), Presentation (1 size), Letter Gothic (1 size), Prestige Elite (2 sizes), Courier (2 sizes), OCR (2 types), Writable characters (40 types), Outline font (1 type)
Rotations		0°, 90°, 180°, 270°
Standard interface		Serial interface (RS-232C) Parallel interface (Centronics) Expansion I/O interface Flash memory card interface

2.2 Option

Option Name	Type	Usage	Source
Cutter module	B-4205-QM	A stop and cut swing cutter	See NOTE 1.
Fanfold paper guide module	B-4905-FF-QM	This is a paper guide exclusively used for fanfold paper. Attaching it in place of the standard paper guide allows the printer to print on fanfold paper.	See NOTE 1.
D-RAM PC board	FMBC0067801	A 2MB RAM upgrade which enhances the image handling capability of the printer.	See NOTE 2.
Flash memory card	—————	A flash ROM card (1MB and 4MB) for storing logos, writable characters and formats.	See NOTE 3.

- NOTES:**
1. Available from your nearest TOSHIBA TEC representative or TOSHIBA TEC Head Quarters.
 2. Available from TOSHIBA TEC Parts Center.
 3. When purchasing flash memory card locally, select one having the specifications described at page 8-1.

2.3 Media

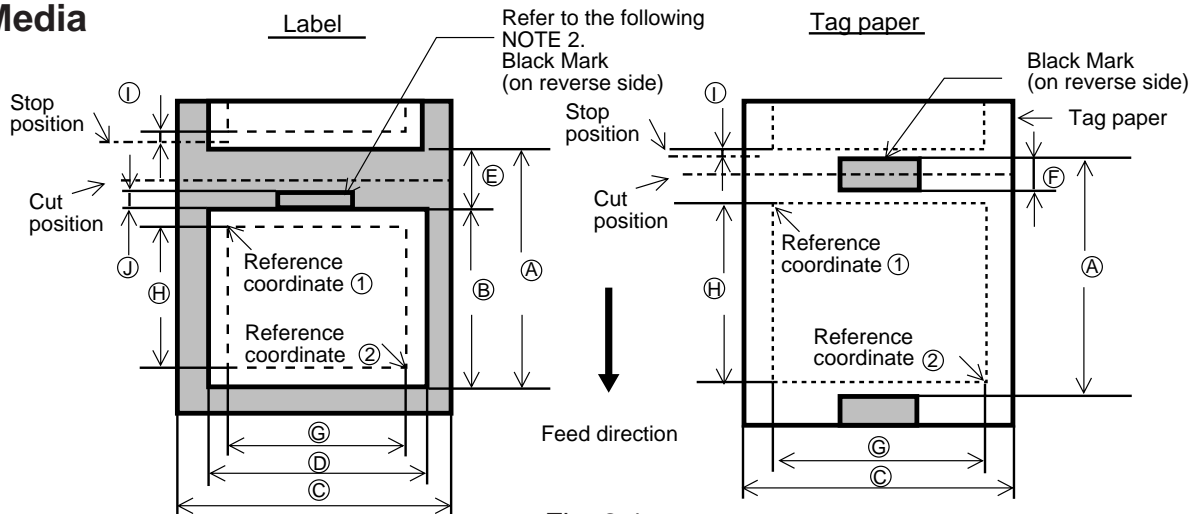


Fig. 2-1

[Unit : mm]

Label dispensing mode		Batch mode	Strip mode	Cut mode
①: Span of one label/tag		10.0 ~ 999.0	25.4 ~ 999.0	Label: 38 ~ 999.0 Tag: 25.4 ~ 999.0
②: Label/tag length		8.0 ~ 997.0	23.4 ~ 997.0	25.0 ~ 993.0
③: Width including backing paper		50.8 ~ 140.0		
④: Label width		47.8 ~ 137.0		
⑤: Gap length		2.0 ~ 20.0	2.0 ~ 20.0	6.0 ~ 20.0
⑥: Black mark length (Tag paper)		2.0 ~ 10.0		
⑦: Effective print width		10.0 ~ 128.0		
⑧: Effective print length	Label	Standard	6.0 ~ 298.6	21.4 ~ 298.6
		Max. memory	6.0 ~ 995.0	21.4 ~ 995.0
	TAG	Standard	8.0 ~ 298.6	23.4 ~ 298.6
		Max. memory	8.0 ~ 997.0	23.4 ~ 997.0
⑨: Print speed up/slow down area		1.0		
⑩: Black mark length (Label)		Refer to the following NOTE 2.		
Maximum effective length for on the fly issue	Standard	149.3		
	Max. memory	661.3		
Outer roll diameter		ø200 Max.		
Thickness	Label	0.13 ~ 0.17		
	Tag	0.15 ~ 0.29		

- NOTES:**
- The media specification other than above are unchanged.
 - When marking black marks on label rolls, the following requirements must be satisfied.
 When the gap length is less than 4 mm:
 The black mark length should be longer than the gap length.
 When the gap length is 4 mm or more:
 The black mark should not overlap the gap for more than 4 mm and the following label.

2.4 Ribbon

Type	Spool type
Width	68 mm ~ 134 mm
Length	600 m
Outer diameter	ø90 mm (max.)

- NOTES:**
- "On the fly issue" means that the printer can draw and print without stopping between labels.
 - To ensure print quality and print head life use only TOSHIBA TEC specified media and ribbons.
 - When using the cutter ensure that label length ② plus inter label gap length ⑤ exceeds 35 mm. (i.e. label pitch should be greater than 35 mm.)
 - When rewinding the media onto the take-up spool in batch mode, the max. outer roll diameter should be 180 mm.
 - Use of rough media for the ribbon saving issue may cause ribbon smudges.

3. OVERVIEW

3.1 Front/Rear View

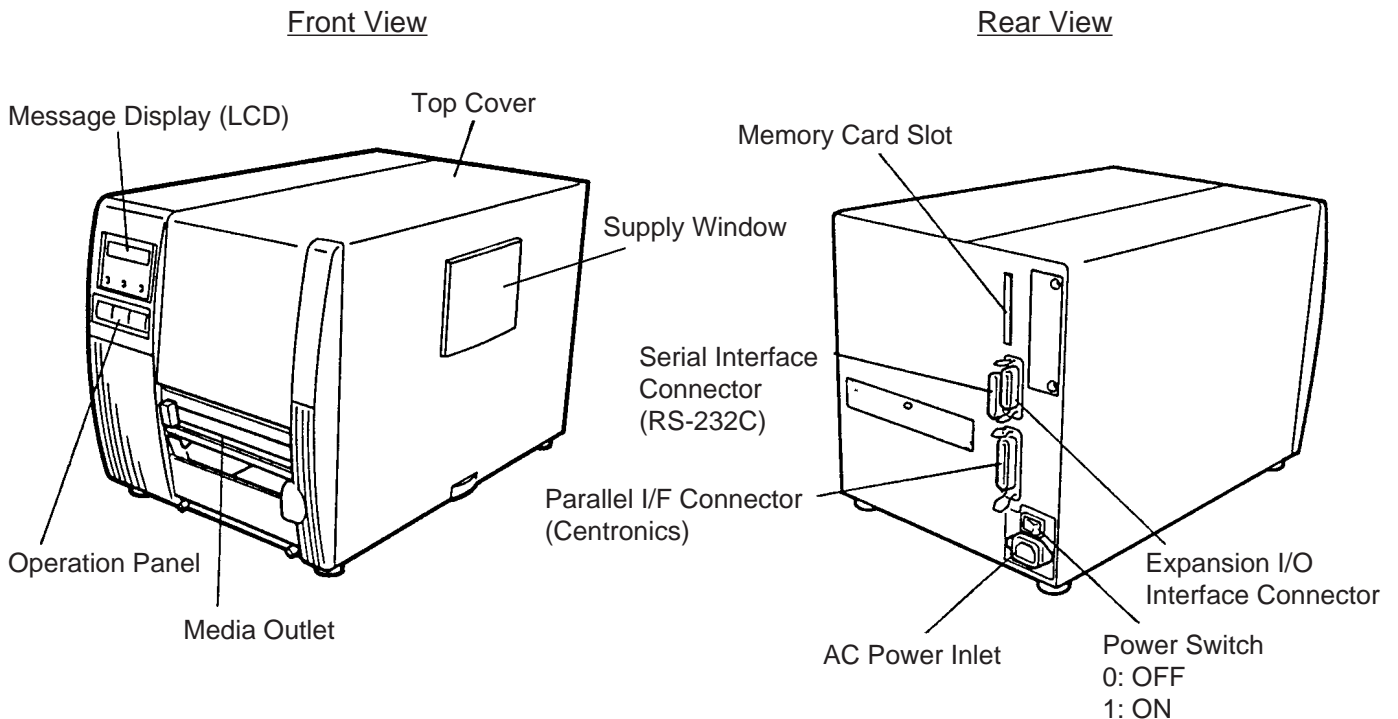


Fig. 3-1

3.2 Operation Panel

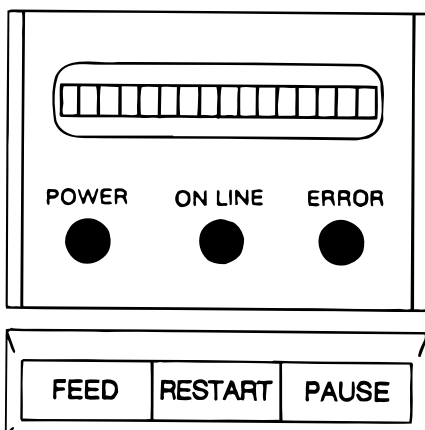


Fig. 3-2

MESSAGE DISPLAY (LCD)

Displays messages in the language selected by DIP switch. When power is turned on and it is ready to print, "ON LINE" is displayed.

POWER LED (Green)

Lights when the power is turned on.

ON-LINE LED (Green)

- 1) Flashes when communicating with a host computer.
- 2) On while printing.

ERROR LED (Red)

Lights when a communication error occurs, when the media/ribbon ends or the printer does not operate correctly.

FEED key

Feeds paper.

RESTART key

Resets the printer when paused or when an error occurs. Used to set the threshold. (Refer to page 10-4)

PAUSE key

Pauses printing.

Message display shows "PAUSE" and an unprinted count. Used to set the threshold. (Refer to page 10-4)

4. DIP SWITCH FUNCTIONS

The DIP switches are located to the right of the supply shaft.

WARNING:
Turn the **POWER OFF** before switching the functions.

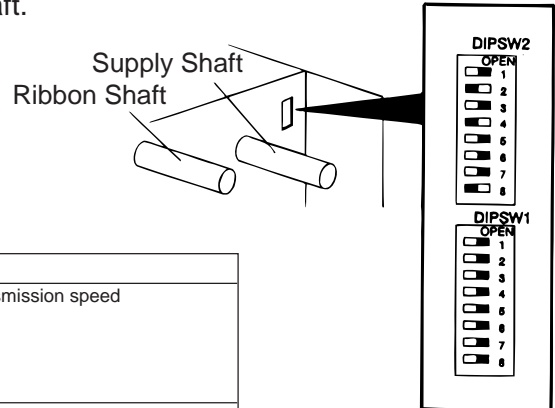


Fig. 4-1

(1) DIP SW 2

No.	ON/OFF		Function	
	1	2		
1	OFF	OFF	2400 BPS	Transmission speed
	ON	OFF	4800 BPS	
2	OFF	ON	9600 BPS	
	ON	ON	19200 BPS	
3	OFF		1 bit	Stop bit length
	ON		2 bit	
4	OFF		7 bit	Data length
	ON		8 bit	
5	OFF		without	Parity check
	ON		with	
6	OFF		EVEN	Parity check (effective when DIP SW #5 is set to ON.)
	ON		ODD	
7	7	8	Data protocol	
	OFF	OFF		XON/XOFF (No XON is output at the power on time.) (XOFF is output at the power off time.)
8	ON	OFF	READY/BUSY (DTR) (No XON is output at the power on time.) (No XOFF is output at the power off time.) READY/BUSY (RTS) (No XON is output at the power on time) (No XOFF is output at the power off time.)	
	OFF	ON	XON/XOFF + READY/BUSY (XON is output at the power on time.) (XOFF is output at the power off time.)	
	ON	ON	XON/XOFF (XON is output at the power on time.) (XOFF is output at the power off time.)	

(2) DIP SW 1

No.	ON/OFF			Function	
	2	3	4		
1	OFF			Without	Auto ribbon save function
	ON			With	
2	OFF	OFF	OFF	English	Language to display LCD error message
	ON	OFF	OFF	German	
	OFF	ON	OFF	French	
3	ON	ON	OFF	Dutch	
	OFF	OFF	ON	Spanish	
4	ON	OFF	ON	Japanese	
	OFF	ON	ON	Italian	
5	OFF			Without	Auto media feed after a cut issue (See page 6-5)
	ON			With	
6	OFF			Without	Use of the built-in rewinder/Head up function in cut mode Refer to Note 2.
	ON			With	
7	OFF			Must be set to OFF.	
	ON				
8	OFF			Must be set to OFF.	
	ON				

- NOTES:**
1. The shaded settings are the factory default settings. "OFF" means "OPEN".
 2. The DIP switch #1-6 functions in accordance with equipment to be used.
 3. If you would like to switch to READY/BUSY (DTR) or to READY/BUSY (RTS) of data protocol, please contact your authorized TOSHIBA TEC representative.

5. INSTALLING THE PRINTER

Connecting the Power Cord and Cables

WARNING!

Turn the **POWER SWITCH to OFF** before connecting the power cord or cables.

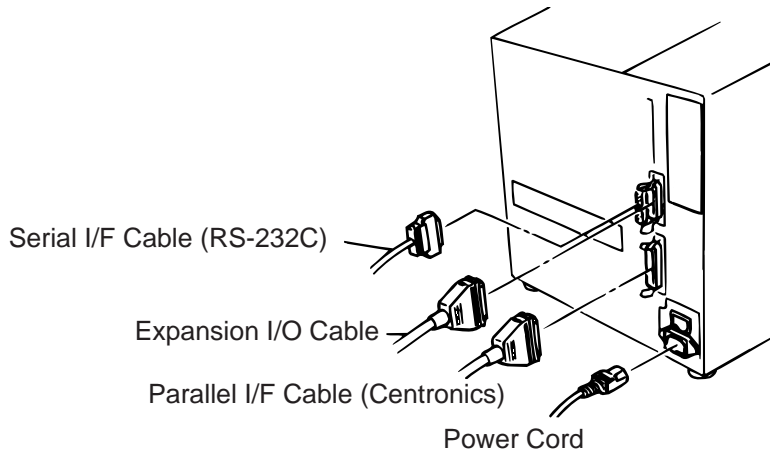


Fig. 5-1

NOTE: Only the power cord is provided with this product. If using another cable, it should conform to the following specifications. For more details, please contact your local TOSHIBA TEC service representative.

Centronics Interface (36 pins, Male)

Printer-Side Connector Pin Signals

Pin No.	Signal	Pin No.	Signal	Pin No.	Signal	Pin No.	Signal
1	DATA*STB	10	ACK	19	Twisted Pair GND (Pin1)	28	Twisted Pair GND (Pin10)
2	DATA1	11	BUSY	20	Twisted Pair GND (Pin2)	29	Twisted Pair GND (Pin11)
3	DATA2	12	PE	21	Twisted Pair GND (Pin3)	30	Twisted Pair GND (Pin31)
4	DATA3	13	PAUSE	22	Twisted Pair GND (Pin4)	31	INPUT*PRIME
5	DATA4	14	0V	23	Twisted Pair GND (Pin5)	32	FAULT
6	DATA5	15	N.C.	24	Twisted Pair GND (Pin6)	33	0V
7	DATA6	16	0V	25	Twisted Pair GND (Pin7)	34	N.C.
8	DATA7	17	CHASSIS GND	26	Twisted Pair GND (Pin8)	35	N.C.
9	DATA8	18	+5V	27	Twisted Pair GND (Pin9)	36	N.C.

Expansion I/O Interface (24 pins, Male)

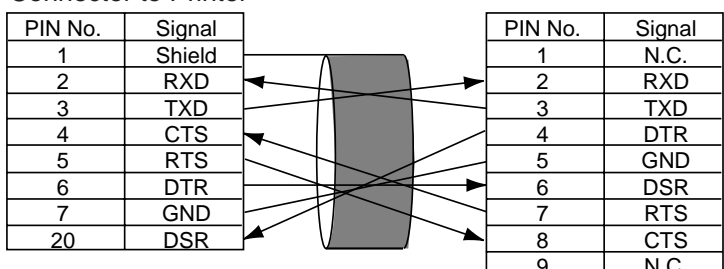
Printer-Side Connector Pin Signals

Pin No.	Signal	Pin No.	Signal	Pin No.	Signal
1	IN0	9	OUT2	17	N.C.
2	IN1	10	OUT3	18	N.C.
3	IN2	11	OUT4	19	N.C.
4	IN3	12	OUT5	20	N.C.
5	IN4	13	N.C.	21	COM2
6	N.C.	14	N.C.	22	N.C.
7	OUT0	15	COM1	23	N.C.
8	OUT1	16	N.C.	24	N.C.

RS-232C Interface

DB-25S (25 pins, Male, Metric screw type)
Connector to Printer

DB-9P
Connector to PC



6. LOADING THE MEDIA

WARNING:

1. Do not touch moving parts. To reduce the risk that fingers, jewelry, clothing, etc., be drawn into the moving parts, push the switch in the "OFF" position to stop movement.
2. To avoid injury, be careful not to catch or jam your fingers while opening or closing the cover.

The printer prints both labels and tags.

1. Turn off the power and open the top cover.
2. Turn the head lever to position ③, then release the ribbon shaft holder plate.

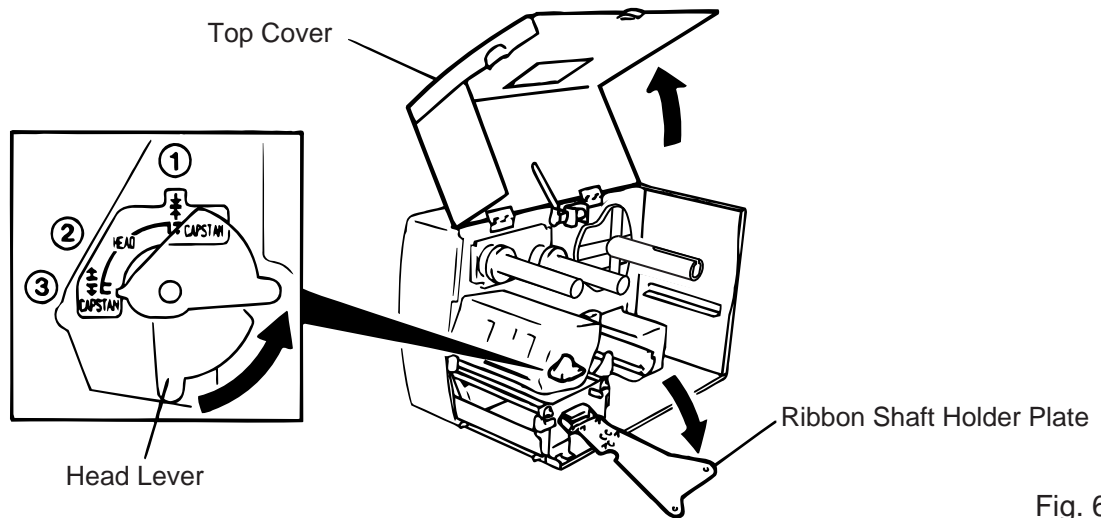


Fig. 6-1

- NOTES:**
1. When the head lever is turned to position ②, the print head is raised.
 2. When the head lever is turned to position ③, the print head and the pinch roller are raised.
 3. To allow printing the head lever must be set to position ①. (This ensures that the print head and the pinch roller are closed.)

3. Turn the locking ring counter clockwise and remove the supply holder from the supply shaft.

NOTE: Do not turn the force the locking ring too far counterclockwise or it may come off the supply holder.

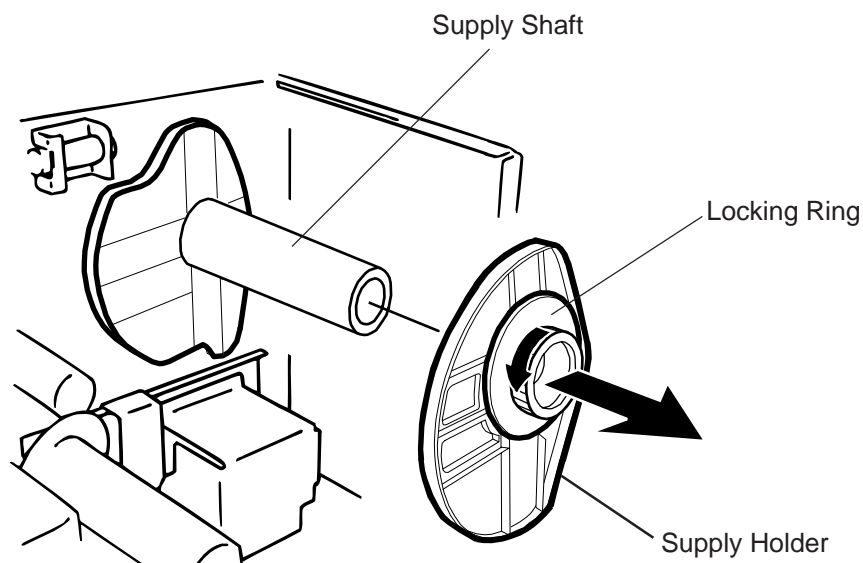


Fig. 6-2

4. Put the media on the supply shaft.
5. Pass the media around the damper, then pull the media towards the front of the printer.
6. Insert the ridge of the supply holder into the groove of the supply shaft until the media is fixed. Then turn the locking ring clockwise to secure the supply holder. This will centre the media automatically.

NOTE: Do not over tighten the locking ring of the supply holder.

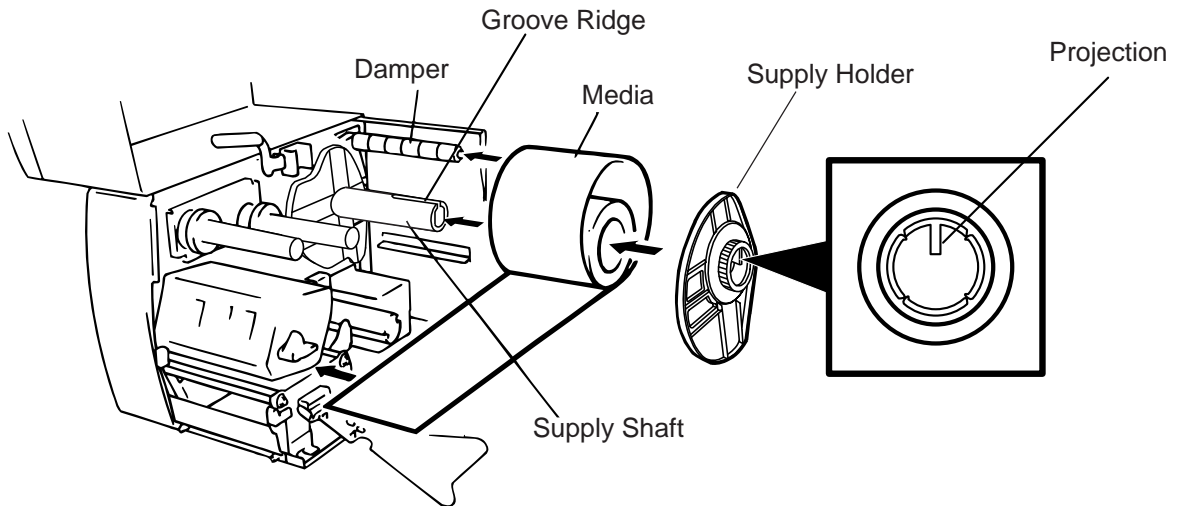


Fig. 6-3

7. Insert the media into the paper holders of the media guide, adjust the media guides to the media width, and tighten the locking screw.
8. Check that the media path through the printer is straight. The media should be centered under the print head.

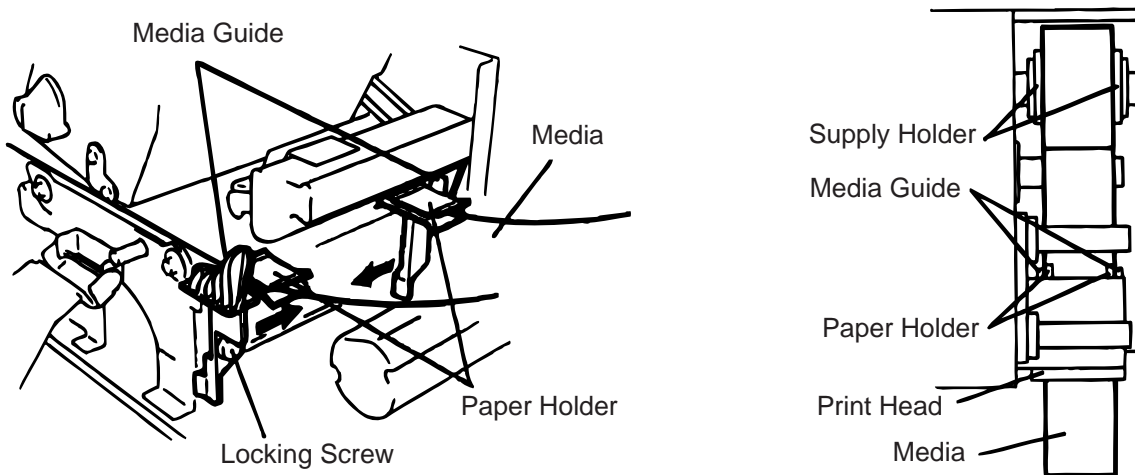


Fig. 6-4

NOTE: When using the label rolled with labels facing outside, please remove the upper plates of both paper holders using the following procedure. Failure to do this may cause a paper jam error. If you have any questions, please contact your nearest TOSHIBA TEC service representative.

■ Removing the paper holders' upper plates from the media guide

- ① Remove the two T-4x8 screws to detach the media guide from the printer.

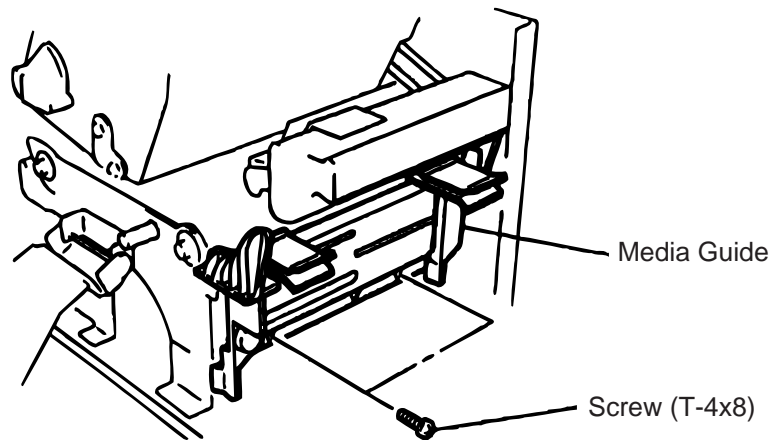


Fig. 6-5

- ② Remove the SM-3x6 screw or the SM-3x8 screw to detach the paper holders' upper plates from the media guide.

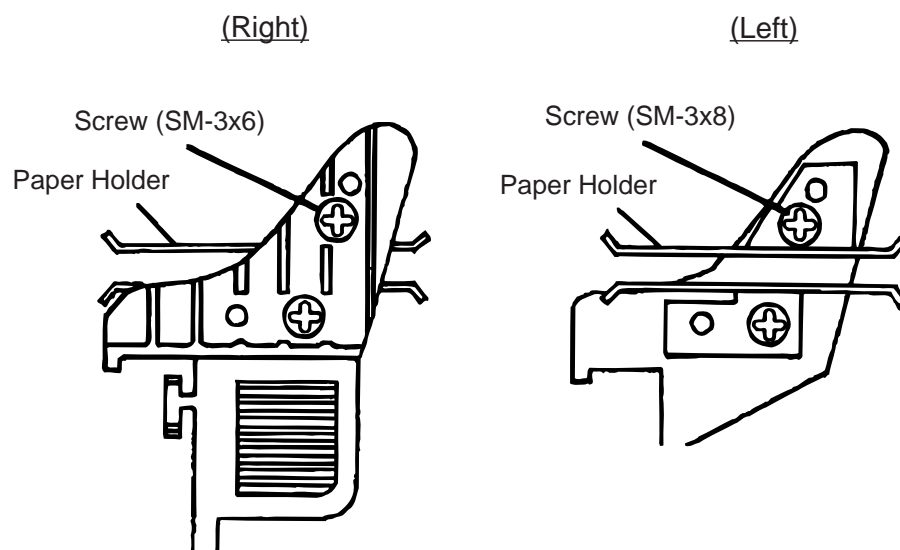


Fig. 6-6

- ③ Attach the media guide back in position.

NOTE: Do not lose the removed upper plates because they are required when using the label rolled with labels facing inside.

9. Set the black mark/feed gap sensor to the correct position by turning the adjusting knob. Turning the knob right will move the sensor towards the center of the media while turning left will move it away from the center of the media.

■ An easy way to set the black mark sensor position

- ① Pull the media about 500 mm out of the front of the printer, turn the media back on it's self and feed it under the print head past the sensor so that the black mark can be seen from above.
- ② Adjust the sensor position to that of the black mark (the upper hole indicates the position of the black mark sensor).

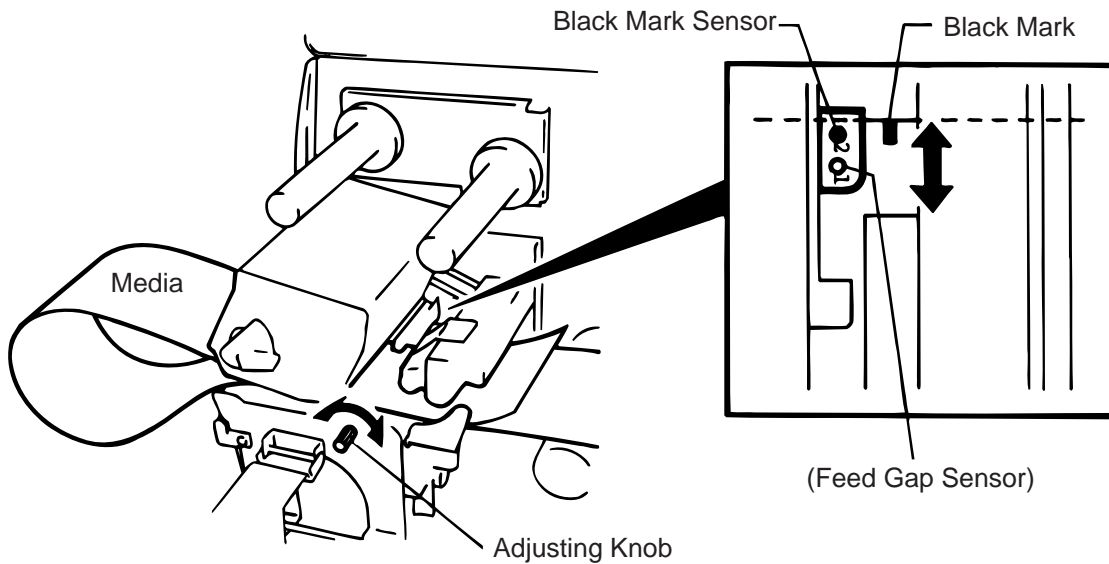


Fig. 6-7

NOTE: Make sure to set the sensor to detect the center of the black mark, otherwise a paper jam error could occur.

■ Setting the feed gap sensor position

- ① Adjust the sensor to detect on the gap (the lower hole indicates the position of the feed gap sensor.)

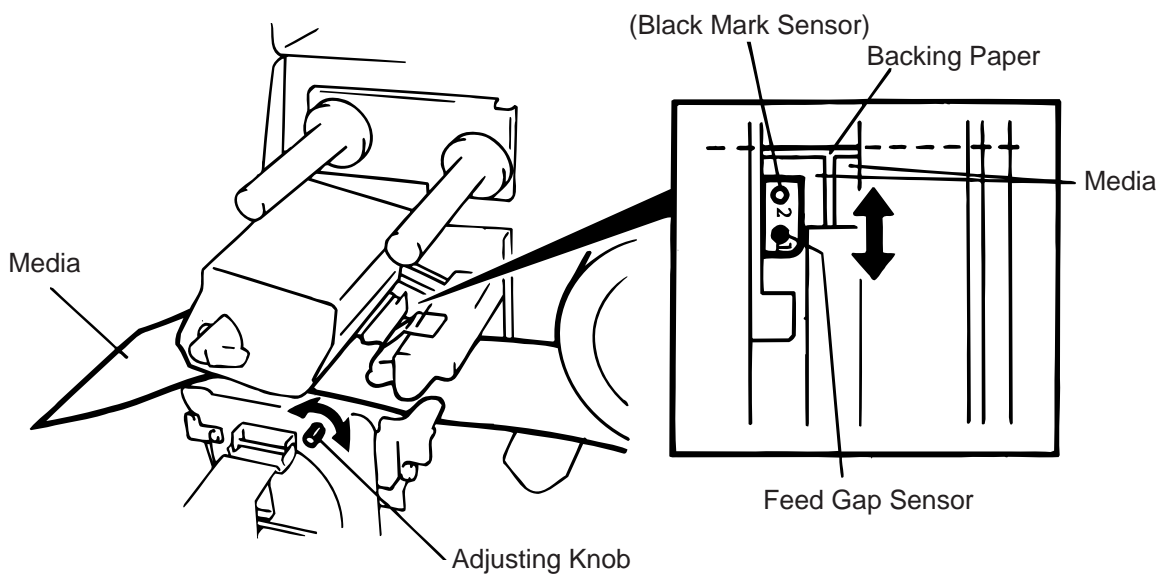


Fig. 6-8

10. The media is now loaded and the sensor position is set.

Batch type:

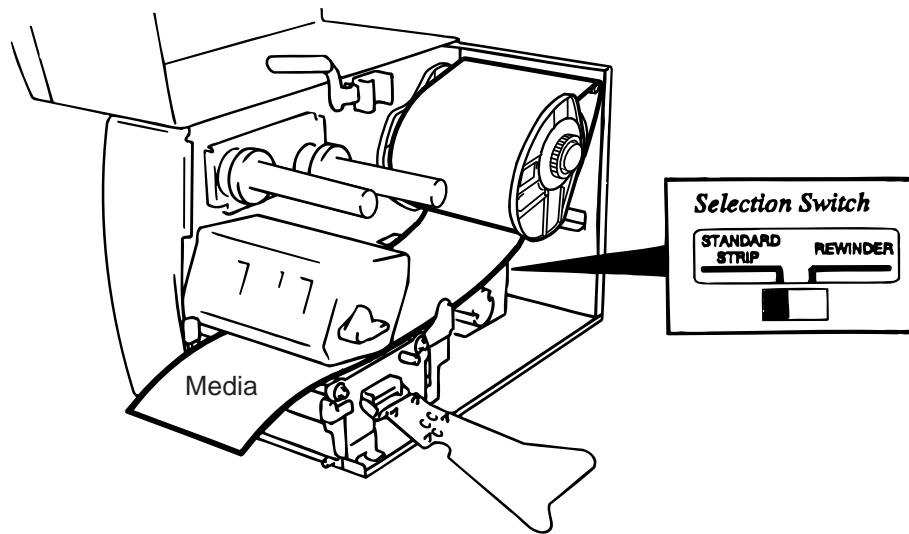


Fig. 6-9

NOTE: Set the selection switch to the STANDARD/STRIP position. Improper setting can affect the print quality.

Strip type:

- ① Remove enough labels from the leading edge media to leave 500 mm of backing paper exposed.
- ② Wind the backing paper onto the take-up spool and fix in position with the take-up clip. (Wind the paper counter clockwise around the spool as this is the direction it rotates.)
- ③ Rotate the take-up spool anti-clockwise a few times to take up any slack in the backing paper.

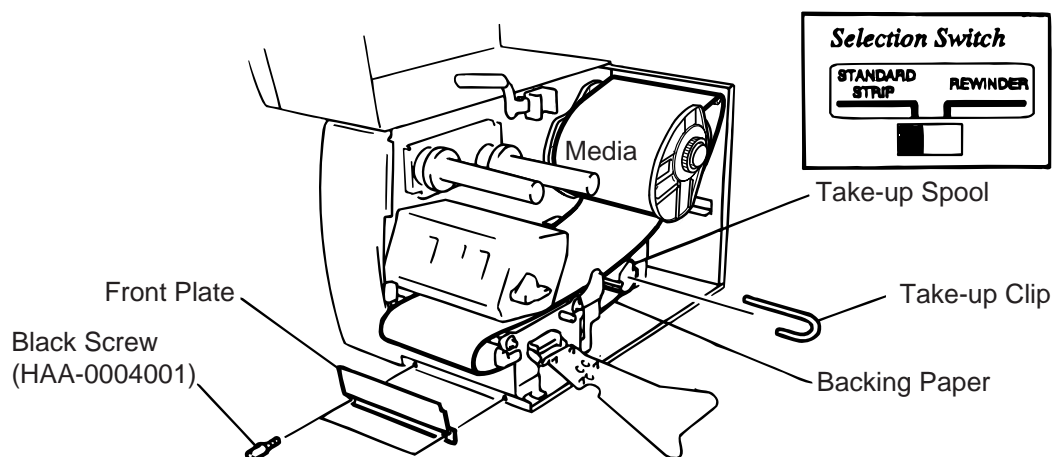


Fig. 6-10

- NOTES:**
1. The backing paper is easier to feed back to the take-up spool if the front plate is removed.
 2. When fitting the take-up clip the longer side of the clip should be fitted into the shallow groove on the take-up spool.
 3. Set the selection switch to the STANDARD/STRIP position.

Cutter type: Where a cutter is fitted load the media as standard and feed it through the cutter module.

- NOTES:**
1. Be sure to cut the backing paper of label. Cutting labels will cause the glue to stick to the cutter, which may affect the cutter quality and shorten the cutter life.
 2. If the top edge of label winds onto the platen in cut issue, set the DIP SW 1-5 to ON.
 3. For the cutter type, the selection switch can be set to either position.

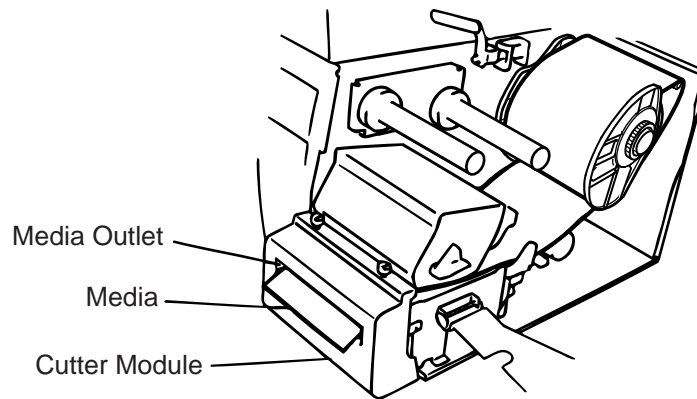


Fig. 6-11

Built-in rewriter type:

- ① Remove two black screws and front plate.
- ② Fit the rewriter guide plate to the tear-off bar, then attach it with the sems screws.

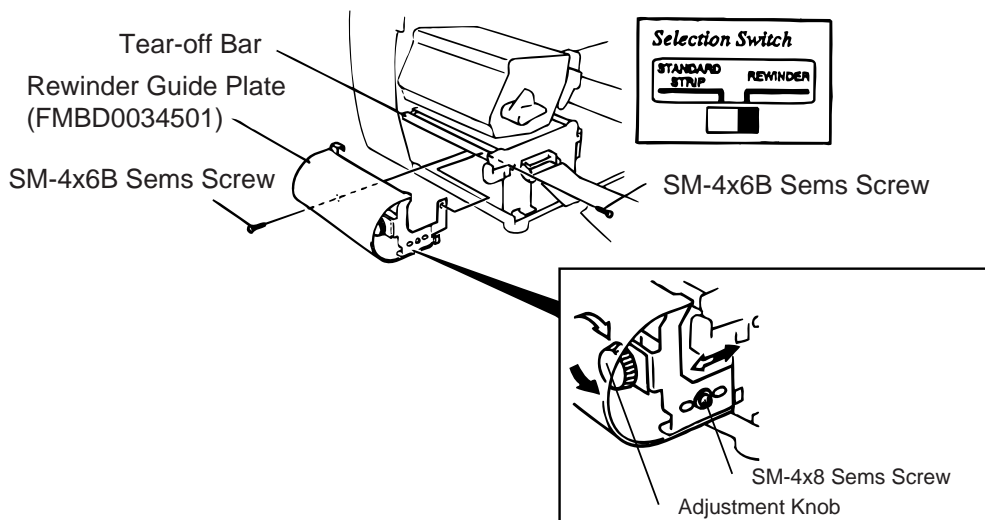


Fig. 6-12

NOTES: Set the selection switch to the REWINDER position.

- ③ Follow the procedure for strip type.
- ④ Adjustment

If the label skews when using built-in rewriter unit, turn the adjustment knob of the rewriter guide plate to correct the label feed. Clockwise turn moves the rewriter guide plate forward and counterclockwise moves it backward.

* When labels skew to the right:

Loosen the SM-4x8 sems screw with a philips-head screw driver. Turn the adjustment knob clockwise, and tighten the SM-4x8 screw when the rewriter guide plate is positioned correctly.

* When labels skew to the left:

Loosen the SM-4x8 screw with a phillips-head screw driver. Turn the adjustment knob counterclockwise, and tighten the SM-4x8 screw when the rewriter guide plate is positioned correctly.

7. LOADING THE RIBBON

WARNING!

1. Do not touch moving parts. To reduce the risk that fingers, jewelry, clothing, etc., be drawn into the moving parts, push the switch in the "OFF" position to stop movement.
2. To avoid injury, be careful not to catch or jam your fingers while opening or closing the cover.

There are two types of media available for printing on, these are standard media and direct thermal media (a chemically treated surface). **DO NOT LOAD** a ribbon when using a direct thermal media.

1. When using a narrow width ribbon, slide the ribbon stoppers along the shafts to a position where the ribbon will be centered when it is fitted. When changing from a narrow width to a wider one rotate the ribbon stoppers by 90°, push them back to the correct position and then rotate back to lock.

NOTE: When attaching the ribbon stoppers, fit them to the shafts with the pinchers facing into the printer.

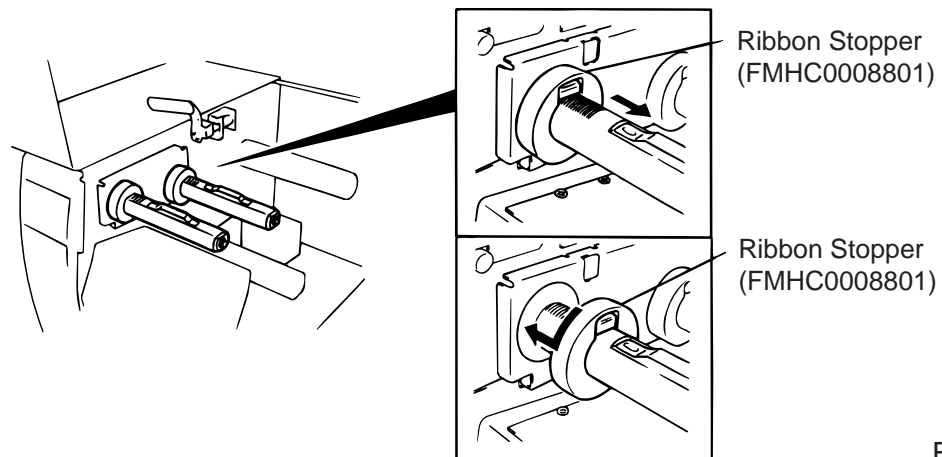


Fig. 7-1

2. Leaving plenty of slack between the spools, fit the ribbon as shown below. When the ribbon is fitted it must be positioned over the ribbon sensor.
3. Wind both shafts towards each other to tighten the ribbon.

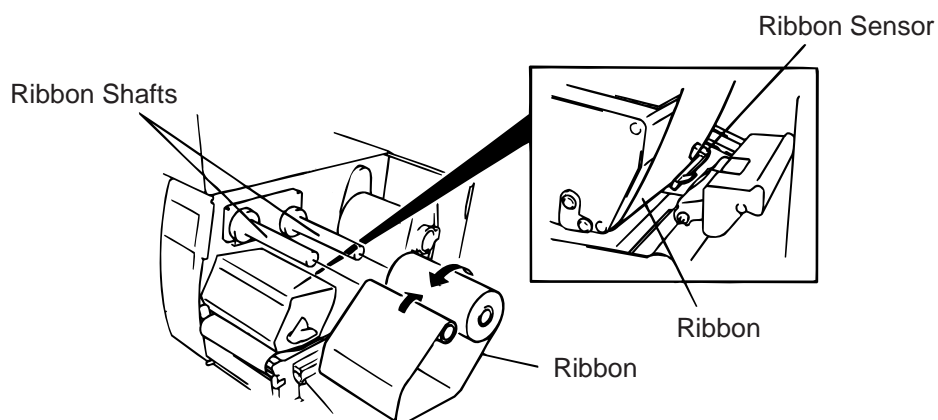


Fig. 7-2

4. Reset the ribbon shaft holder plate by aligning it with the ribbon shaft.
5. Turn the head lever clockwise to lower the print head.
6. Close the top cover.

8. INSERTING THE OPTIONAL FLASH MEMORY CARD

WARNING!

Turn the power OFF when inserting or removing the flash memory card.

CAUTION:

To protect memory cards, discharge static electricity from your body by touching the printer rear cover prior touching the memory cards.

1. Turn the power off.
2. Insert the flash memory card into the memory card slot at the rear of the printer.
3. Turn the power on.

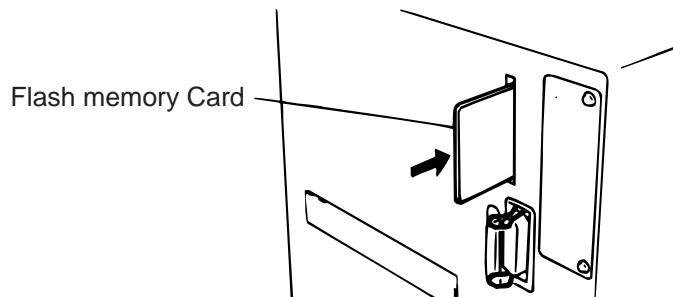


Fig. 8-1

- NOTES:**
1. Be sure to protect a flash memory card when not in use in the printer by putting it in its protective cover.
 2. Do not subject the card to any shocks or excessive forces.
 3. Do not expose the card to extremes of heat by either storing in direct sunlight or close to a heater.
 4. Do not expose the card to excessive humidity by wiping it with a wet cloth or storing it in a damp place.
 5. Before inserting or removing the card, make sure that the power switch is turned off.
 6. The following flash cards can be used. (The 1MB-card is read only and the 4MB card can read/write.)

Capacity	Maker	Type	Device code	Maker code
1M Byte	Maxell	EF-1M-TB AA	D0H	1CH
	Mitsubishi	MF81M1-GBDAT01		
4M Byte	Maxell	EF-4M-TB CC	88H	B0H
	Maxell	EF-4M-TB DC	ADH	04H
	Centennial Technologies INC.	FL04M-15-11119-03		01H
	INTEL	IMC004FLSA	A2H	89H
	Simple TECHNOLOGY	STI-FL/4A		
	Mitsubishi	MF84M1-G7DAT01		
	PC Card KING MAX	FJN-004M6C		
	Centennial Technologies INC.	FL04M-20-11138-67		
	PC Card	FJP-004M6R	A0H	89H
	Mitsubishi	MF84M1-GMCAV01	AAH	

9. CARE/HANDLING OF THE MEDIA AND RIBBON

CAUTION:

Be sure to read carefully and understand the Supply Manual. Use only media and ribbon which meet specified requirements. Use of non-specified media and ribbon may shorten the head life and result in problems with bar code readability or print quality. All media and ribbon should be handled with care to avoid any damage to the media, ribbon or printer. Read the following guideline carefully.

- Do not store the media and ribbon for longer than the manufactures recommended shelf life.
- Store media rolls on the flat end, do not store them on the curved sides as this might flatten that side causing erratic media advance and poor print quality.
- Store the media in plastic bags and always reseal after opening. Unprotected media can get dirty and the extra abrasion from the dust and dirt particles will shorten the print head life.
- Store the media and ribbon in a cool, dry place. Avoid areas where they would be exposed to direct sunlight, high temperature, high humidity, dust or gas.
- The thermal paper used for direct thermal printing must not have the specifications which exceed Na⁺ 800 ppm, K⁺ 250 ppm and CL⁻ 500 ppm.
- Some ink used on pre-printed labels may contain ingredients which shorten the print head's product life. Do not use labels pre-printed with ink which contain hard substances such as carbonic calcium (CaCO₃) and kaolin (Al₂O₃, 2SiO₂, 2H₂O).

For further information please contact your local distributor or your media and ribbon manufacturer.

10. GENERAL MAINTENANCE

WARNING!

1. Be careful when handling the print head as it becomes very hot.
2. Care must be taken not to injure yourself with the printer paper cutter.
3. Do not touch moving parts. To reduce the risk that fingers, jewelry, clothing, etc., be drawn into the moving parts, push the switch in the "OFF" position to stop movement.
4. To avoid injury, be careful not to catch or jam your fingers while opening or closing the cover.

10.1 Cleaning

To help retain the high quality and performance of your printer it should be regularly cleaned. The greater the usage of the printer, the more frequent the cleaning. (i.e. low usage=weekly : high usage=daily).

1. Turn the power off.
2. Open the top cover.
3. Turn the head lever to raise the print head.
4. Remove the ribbon and media.
5. Clean the element of print head with print head cleaner.
6. Wipe the platen, feed roller and pinch roller with a cleaner moistened with alcohol.
Remove dust or foreign substances from the internal part of the printer, if any.

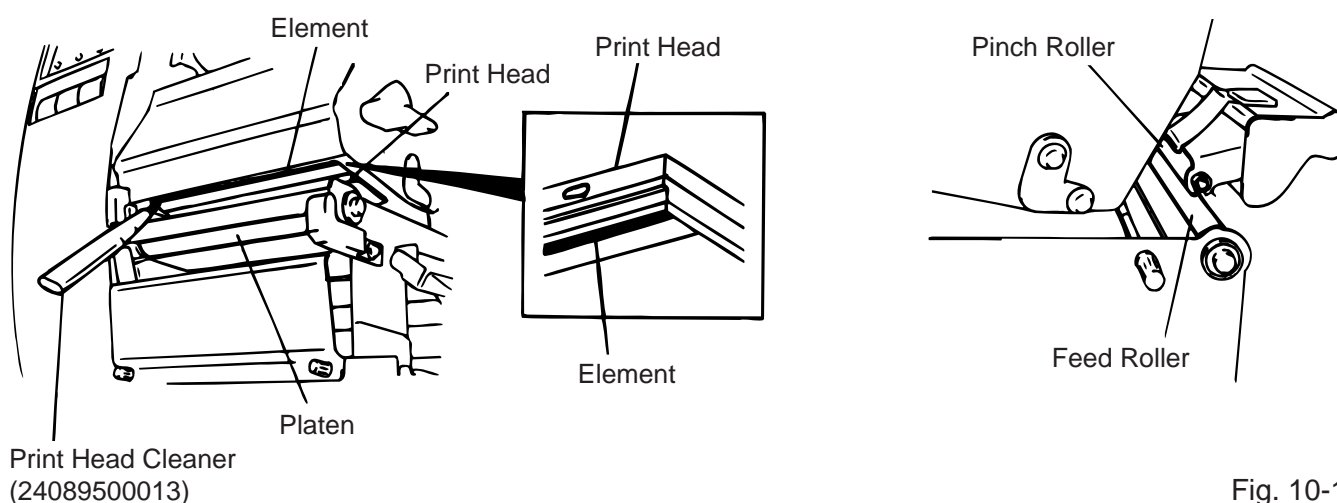


Fig. 10-1

WARNING!

1. Be sure to disconnect the power cord prior of performing any maintenance.
2. Do not use any tool that may damage the print head.
3. **DO NOT POUR WATER** directly onto the printer.

10.2 Covers and Panels

The covers should be cleaned by wiping with a dry cloth or a cloth slightly dampened with a mild detergent solution.

NOTE: Clean the printer cover with an electrostatic free cleaner for automated office equipment.

WARNING!

1. DO NOT POUR WATER directly onto the printer.
2. DO NOT APPLY cleaner or detergent directly onto any cover or panel.
3. NEVER USE THINNER OR OTHER VOLATILE SOLVENT on the plastic covers.
4. DO NOT clean the panel covers or the supply window with alcohol as it may cause them to discolor, loose their shape or develop structural weakness.

10.3 Removing Jammed Paper

1. Turn the power off.
2. Open the top cover.
3. Turn the head lever to position ③, then release the ribbon shaft holder plate.
4. Remove the black screw to detach the media guide plate. (See Fig. 10-2.)
5. Remove the ribbon and media.
6. Remove the jammed paper. DO NOT USE any sharp implement or tool as these could damage the printer.
7. Clean the print head and platen, then remove any further dust or foreign substances.
8. Place the portion ⑥ of the media guide plate on the media sensor. Secure the media guide plate with the black screw.

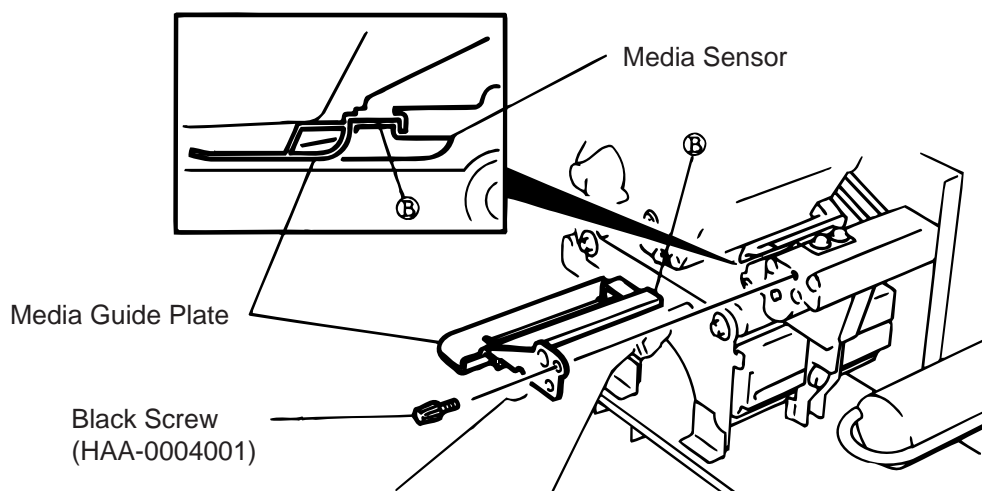


Fig. 10-2

9. Paper jams in the cutter unit can be caused by wear or residual glue from label stock on the cutter. Do not use none specified media in the cutter. If you get frequent jams in the cutter contact your Authorized Service representative.

■ Cleaning the Cutter Unit

WARNING!

1. Be sure to turn the power off before cleaning the cutter unit.
2. The cutters are sharp and care should be taken not to injure yourself when cleaning.

1. Loosen two screws and remove the cutter cover.
2. Remove the white screw and media guide.
3. Remove the jammed paper and trash.
4. Clean the cutter with dry cloth.

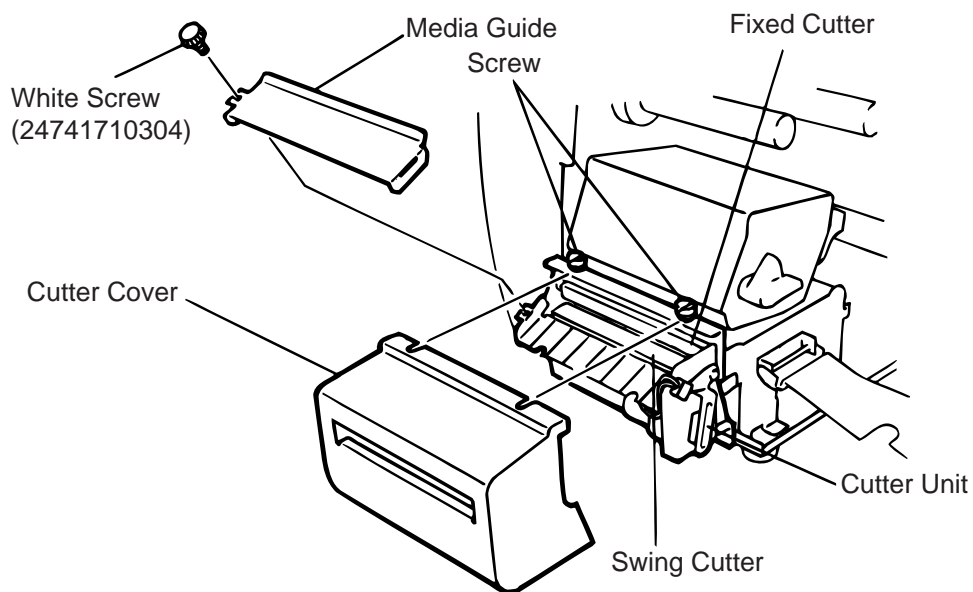


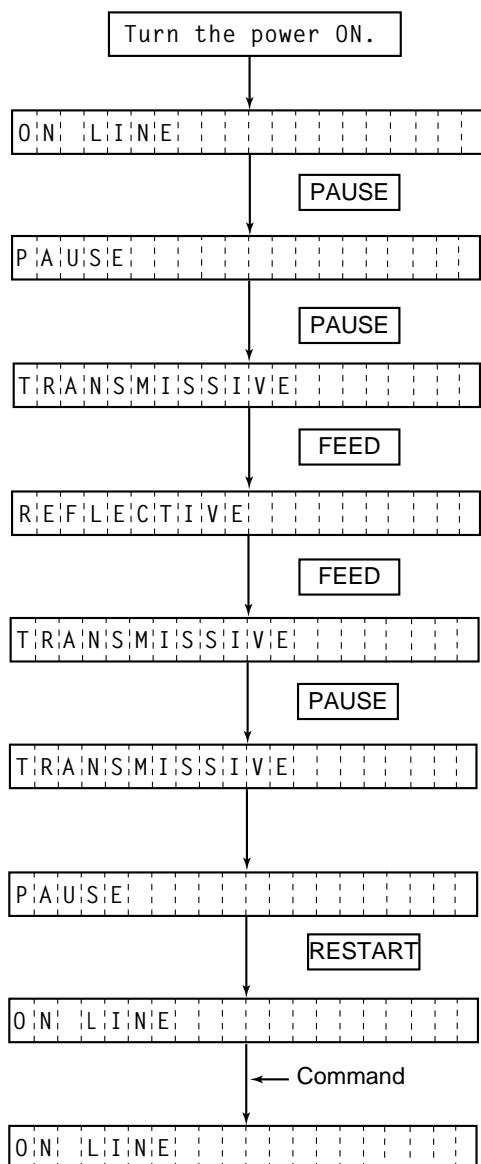
Fig. 10-3

5. Assembling is reverse order of removal.

10.4 Threshold Setting

For the printer to maintain a constant print position it uses the transmissive sensor to detect the gap between labels by measuring the amount of light passing through the media. When the media is pre-printed, the darker (or more dense) inks can interfere with this process causing paper jammed errors. To get around this problem a minimum threshold can be set for the sensor in the following way.

Threshold setting procedure



- (1) The printer is in stand-by.
- (2) Load a media roll in the usual way.
- (3) Press the **[PAUSE]** key.
- (4) The printer enters the pause mode.
- (5) Press and hold the **[PAUSE]** key for at least 3 seconds in the pause state.
- (6) The sensor type is displayed.
- (7) Press the **[FEED]** key.
- (8) The reflective sensor (black mark sensor) is selected.
- (9) Press the **[FEED]** key again.
- (10) The transmissive sensor (feed gap sensor) is selected.
- (11) Press and hold the **[PAUSE]** key.
- (12) The media is advanced until the **[PAUSE]** key is released.
- (13) Release the **[PAUSE]** key when more than 1.5 labels (tags) are advanced.
(Threshold setting is completed by this operation.)
- (14) Press the **[RESTART]** key.
- (15) The printer is in stand-by.
- (16) Send an issue command from the PC to the printer.

NOTES:

1. If the **[PAUSE]** key is released within 3 seconds whilst in pause state, paper will not feed.
2. Failure to feed more than 1.5 to 2 labels may result in an incorrect threshold setting.
3. While the print head is raised, the **[PAUSE]** key does not work.
4. Error such as paper end and cutter error are not detected during paper feed.
5. Selecting the transmissive sensor (for pre-printed labels) within software commands allows the printer to detect the proper print start position correctly even when using pre-printed labels.
6. If the printer continues to print out of position after setting the threshold, adjust the feed gap sensor in the system mode. Reset the threshold again. Make sure that the transmissive sensor (for pre-printed labels) is selected in the feed and issue commands.

■ Threshold setting procedure (For firmware version 2.5 or earlier)

- ① Turn the power on.
- ② Load the pre-printed label. (Any position)
- ③ Press the **[PAUSE]** key once.
- ④ Hold down the **[PAUSE]** key for more than 3 seconds and it will begin to feed. After it has fed the 2 label, release the **[PAUSE]** key.
- ⑤ Press the **[RESTART]** key for ON LINE mode.
- ⑥ Threshold setting is now completed.

NOTES: 1. If the **[PAUSE]** key is not held down for more than 3 seconds in PAUSE mode the threshold will not be set.
 2. If the **[PAUSE]** key is released before 2 labels have been issued the setting may not be correct and will have to be re-set.

10.5 Auto Ribbon Saving Mode

Auto ribbon saving function is activated when it is selected by DIP switch (Refer to page 4-1) and no print area extends more than 20 mm.

NOTE: According to the relation between the outer diameter of rewound ribbon and print speed, ribbon loss per saving varies as follows:

Print speed	Ribbon loss
3"/sec.	Approx. 5 mm
5"/sec.	Approx. 8 mm
8"/sec.	Approx. 17 mm

11. TROUBLESHOOTING

WARNING!

If you cannot solve a problem with the following solutions, do not attempt to repair it yourself. Turn the power off, unplug the printer, then contact your Authorized Service representative for assistance.

Error Message	Problem	Solution
PAPER JAM ****	<ol style="list-style-type: none"> The media is not fitted correctly. The media path is jammed and does not feed smoothly. The installed media type does not match the selected sensor. The black mark position on the media does not match the sensor position. The installed media size is different from the programmed size. The feed gap sensor cannot see the difference between the print area and the gap. 	<ol style="list-style-type: none"> Re-fit the media correctly. → Press the [RESTART] key. Remove the cause of the jam and replace the media correctly. → Press the [RESTART] key. Turn the power off then on again. Select the correct sensor. → Feed the media. Adjust the sensor position. → Press the [RESTART] key. Turn the power off then on again. Set the correct media size. → Feed the media. Set the threshold (see page 10-4). Else Turn the power off and call your Authorized Service representative.
HEAD OPEN ****	Feed or printing has been attempted while the print head is raised.	Lower the print head. → Press the [RESTART] key.
NO PAPER ****	The media has run out.	Load new media. → Press the [RESTART] key.
NO RIBBON ****	The ribbon has run out.	Load a new ribbon. → Press the [RESTART] key.
REWIND FULL ****	Too much backing paper or media is wound on the internal take-up spool.	Remove the backing paper or media from the internal take-up spool. Then press the [RESTART] key.

Error Message	Problem	Solution
EXCESS HEAD TEMP	The print head is too hot.	Turn the power off and decrease the print head temperature.
HEAD ERROR	This message is displayed when sending the head broken check command ([ESC] HD001 [LF] [NUL]) and the print head has a broken element.	<ol style="list-style-type: none"> 1. Restart the printing by pressing the [RESTART] key. 2. Replace the print head.
RIBBON ERROR ****	There is a fault with the ribbon sensor.	Turn the power off. Contact your Authorized Service representative.
CUTTER ERROR ****	Media is jammed in the cutter.	<p>Remove the jammed media and feed the undamaged media through the cutter.</p> <p>→ Press the [RESTART] key.</p> <p>Else</p> <p>Turn the power off and contact your Authorized Service representative.</p>
FLASH WRITE ERROR	An error has occurred when loading data onto a flash memory card.	<ol style="list-style-type: none"> 1. Turn the power off, re-seat the flash memory card and try again. 2. Replace the flash memory card and retry. 3. Turn the power off and contact your Authorized Service representative.
FORMAT ERROR	An error has occurred while formatting a flash memory card.	<ol style="list-style-type: none"> 1. Turn the power off, re-seat the flash memory card and try again. 2. Replace the flash memory card and retry. 3. Turn the power off and contact your Authorized Service representative.
FLASH MEMORY FULL	No more data can be saved in the flash memory card.	<p>Replace the card with a new one and re-send data.</p> <p>(Only 1MB and 4MB cards can be used.)</p>
COMMUNICATION ERROR	A communication error has occurred with the host.	<p>Turn the power off then on again or press the [RESTART] key.</p> <p>Check the program data.</p> <p>→ Call your Authorized Service representative if necessary.</p>

Error Message	Problem	Solution
example) PC001; 0A00, ↑ Command error 0300, 2, 2	When an error is detected in a command 20 bytes of the command are displayed. (ESC, LF, NUL are not displayed.)	Correct the command and re-send it again.
Other Error Message	Hardware or software trouble.	Turn the power off then on again. If the problem still exists turn the power off and contact your Authorized Service representative.
<p>NOTE: If an error is not cleared by pressing the [RESTART] key, the power must be switched off then on again.</p> <p>After the power has been switched off and on, all print data in the printer is cleared.</p> <p>**** denotes a remaining count of unprinted labels.</p>		

Problem	Solution
No print.	<ol style="list-style-type: none"> 1. Check that media and the ribbon is loaded correctly. 2. Check whether the print head is set correctly or not. 3. Check the cabling between the printer and the host.
Dots missing in the print.	Dirty print head. → Clean the print head. Call your Authorized Service representative if necessary.
Unclear (or blurred) printing.	<ol style="list-style-type: none"> 1. Dirty print head. → Clean the print head. 2. Bad or faulty ribbon. → Replace ribbon. 3. Poor media quality. → Change media type.
Power does not come on.	<ol style="list-style-type: none"> 1. Plug power cord into an AC socket. 2. Check the circuit breakers or fuses. 3. Plug another appliance into the AC socket to check if there is power supplied. Call your Authorized Service representative if necessary.
Printer does not cut.	Check for a paper jam in the cutter. Call your Authorized Service representative if necessary.
You see a raised nap where the media has been cut.	<ol style="list-style-type: none"> 1. Clean the cutter blades. 2. The blades are worn. → Call your Authorized Service representative.



TEC
TOSHIBA TEC CORPORATION

E PRINTED IN JAPAN
EM1-33035